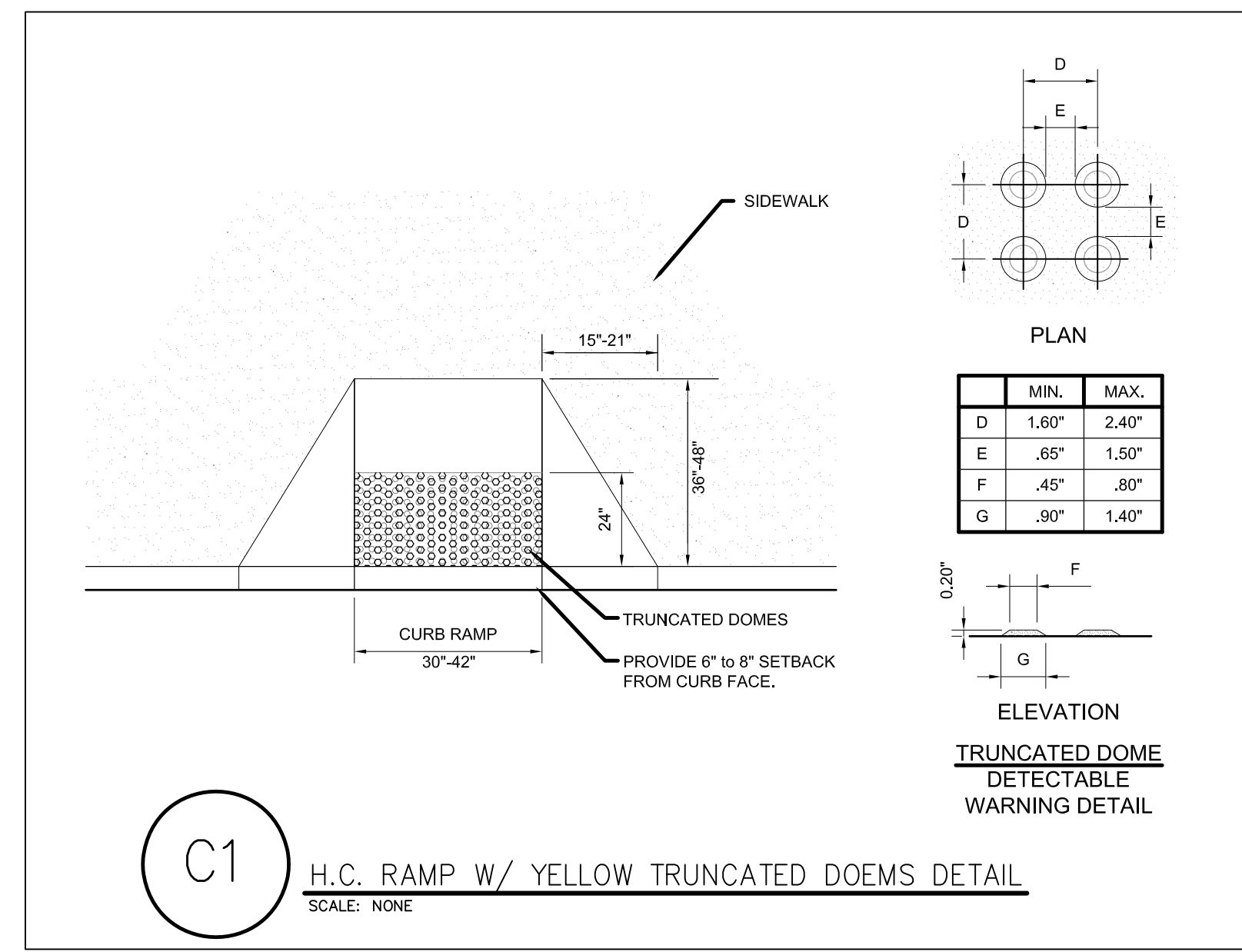


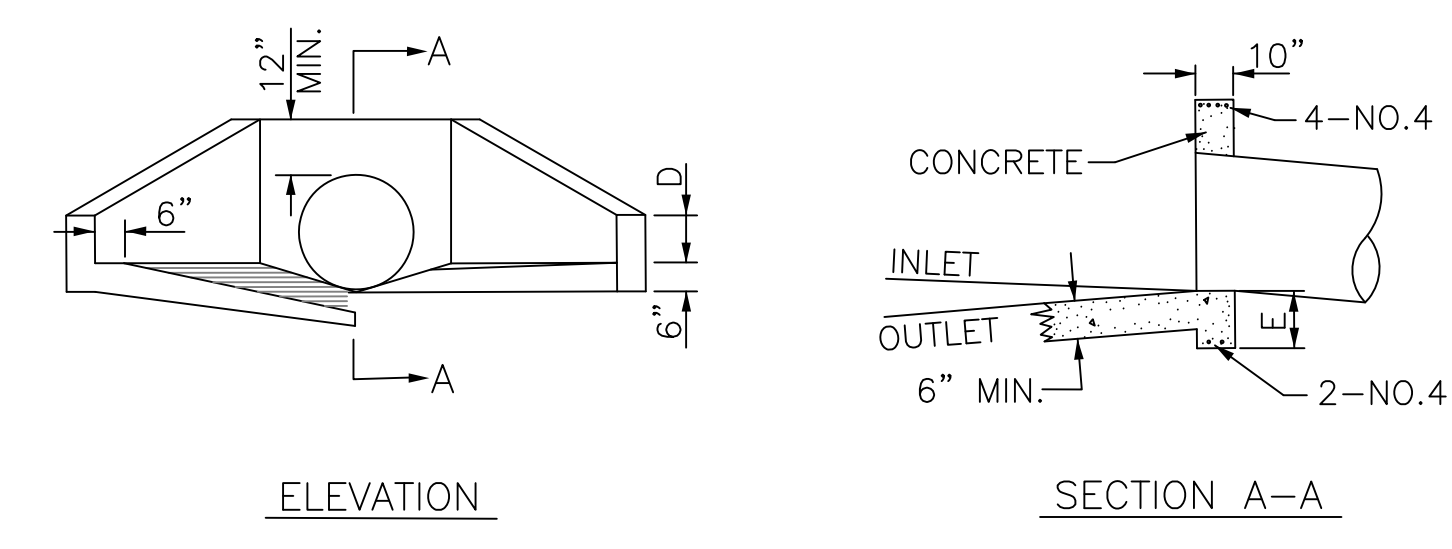
BINDING EDGE

BINDING EDGE

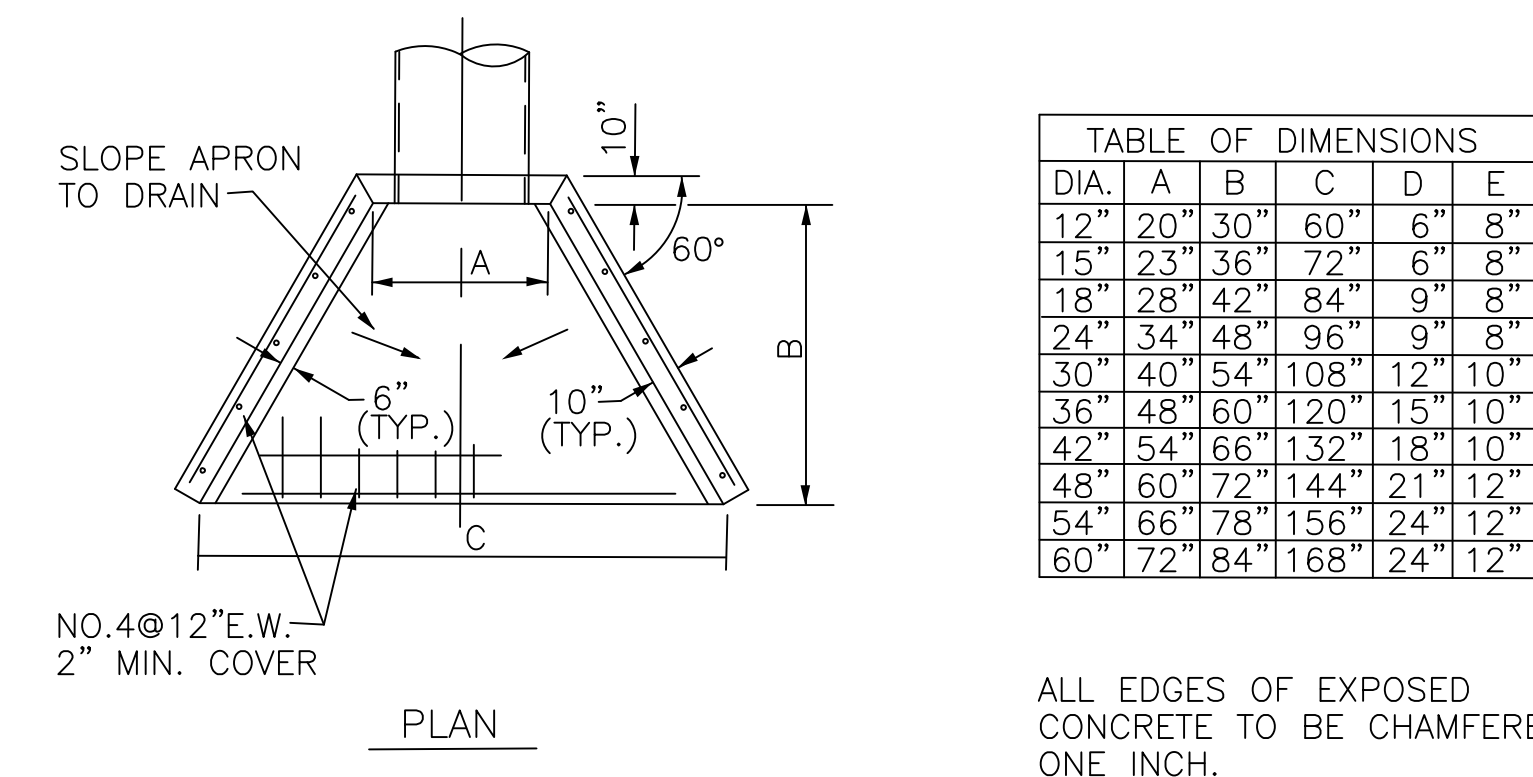
BINDING EDGE



C1 H.C. RAMP W/ YELLOW TRUNCATED DOEMS DETAIL
SCALE: NONE

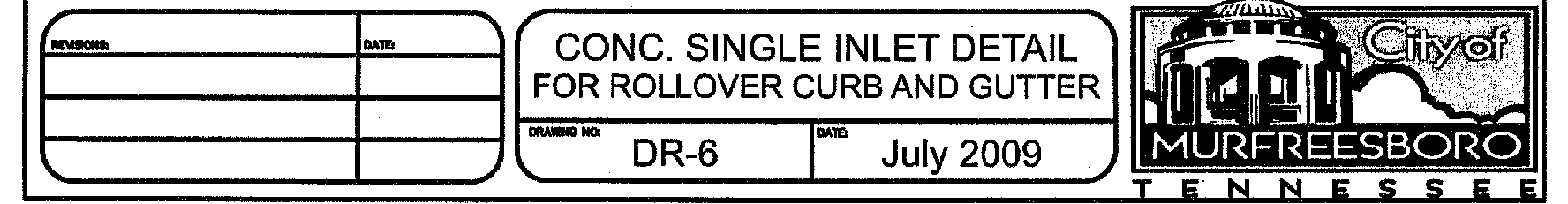


C2 CONCRETE SIDEWALK DETAIL
(NOT TO SCALE)

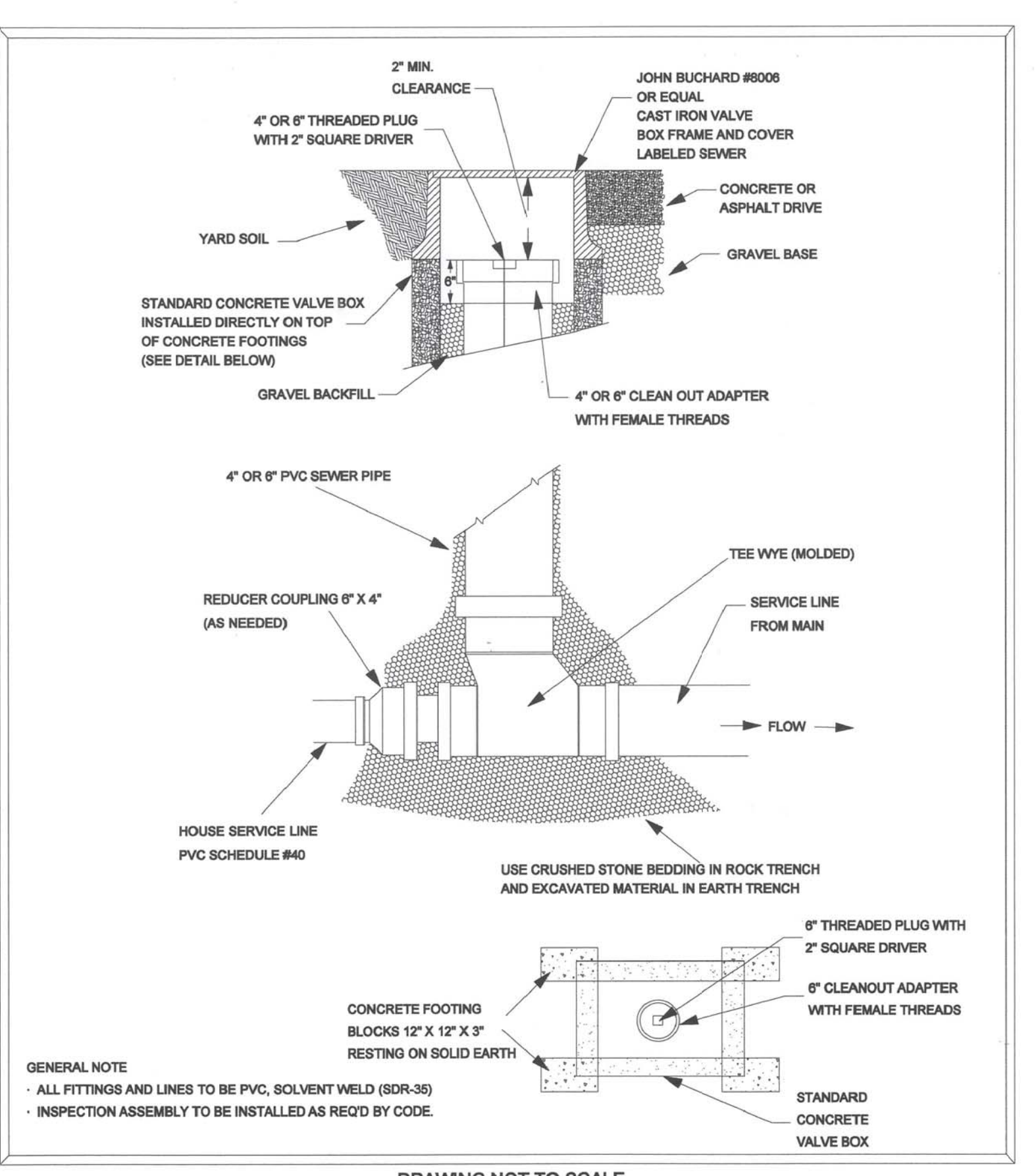


C3 DETAIL "A"-24" CURB & GUTTER
(NOT TO SCALE)

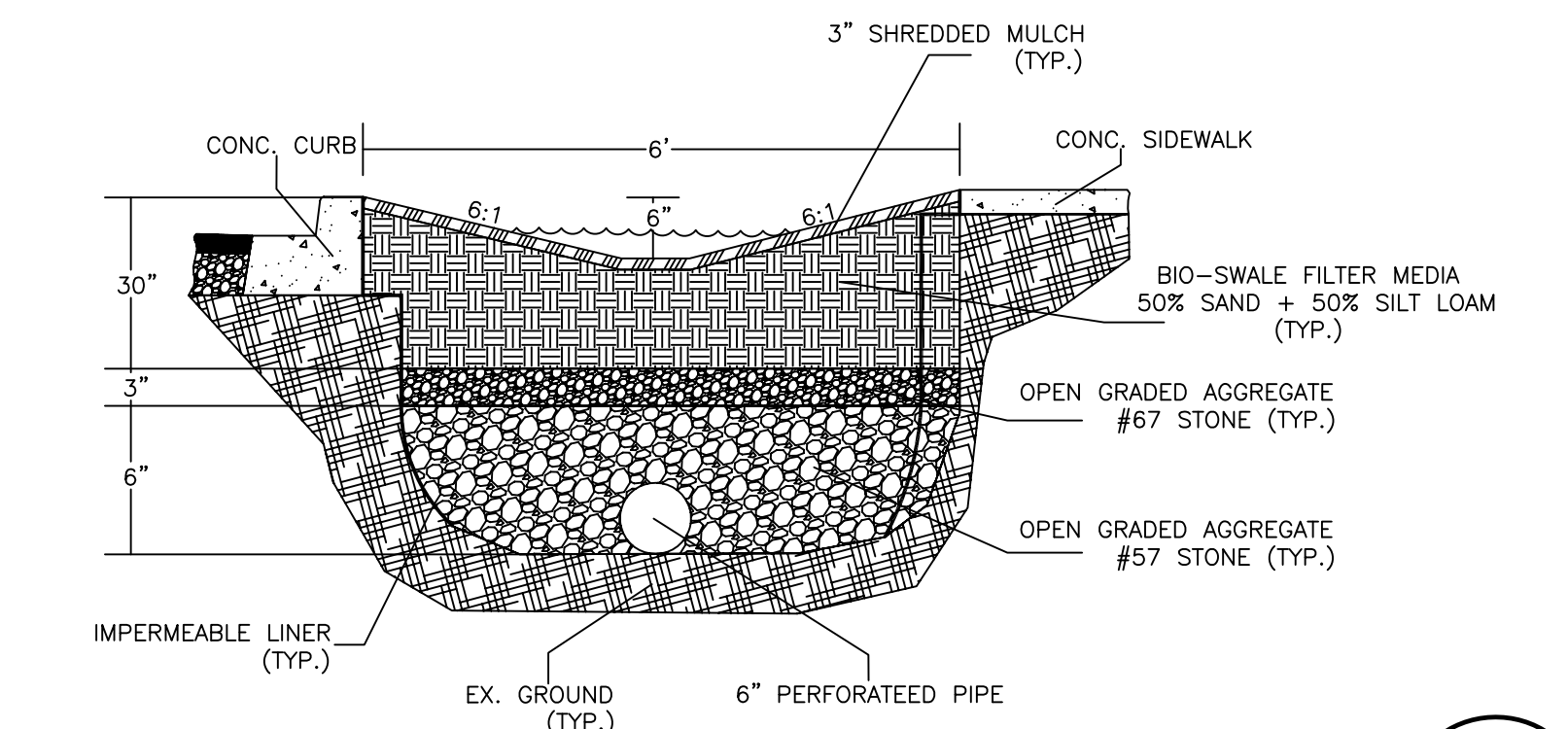
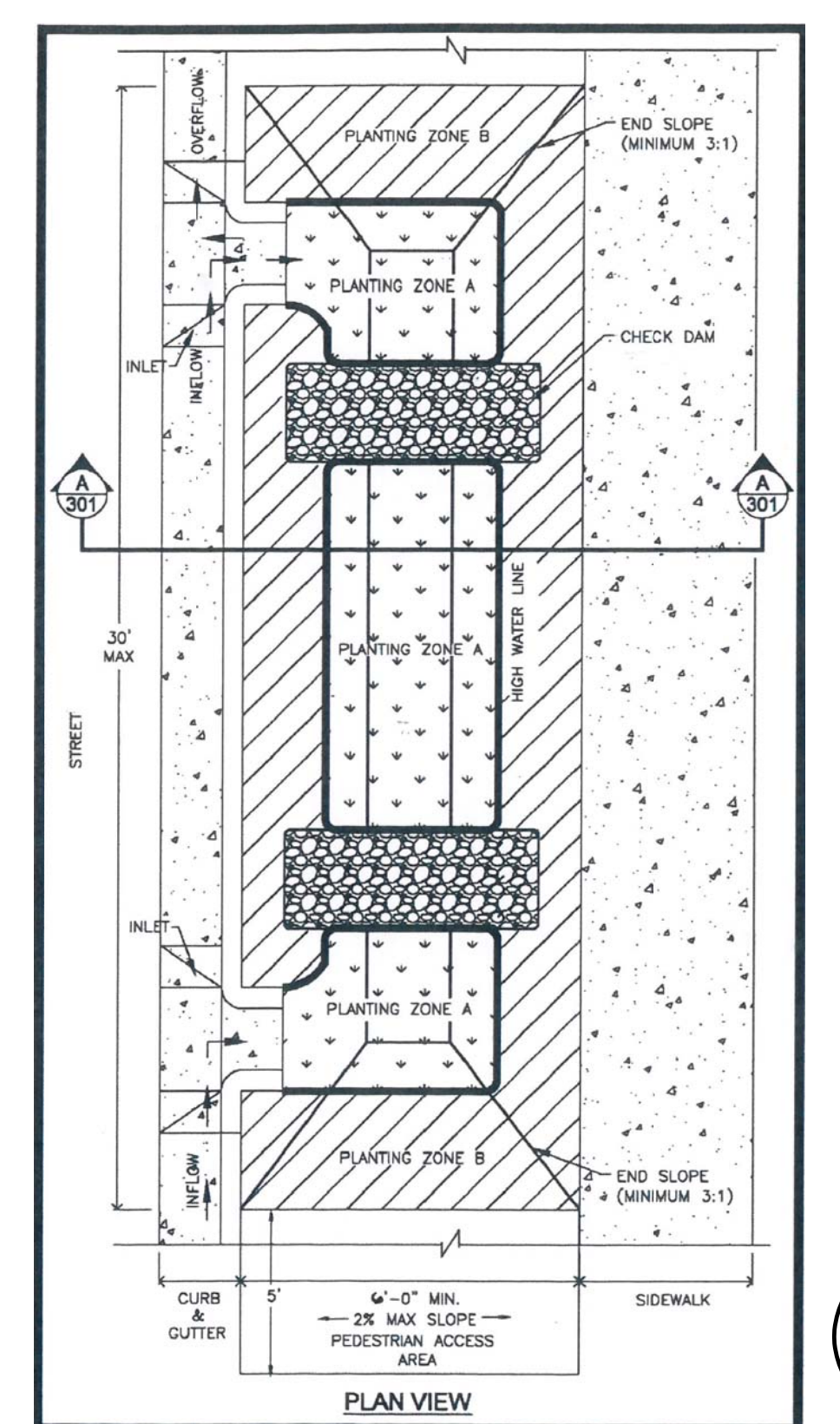
C4 CONCRETE HEADWALL
DETAIL
SCALE: NOT TO SCALE



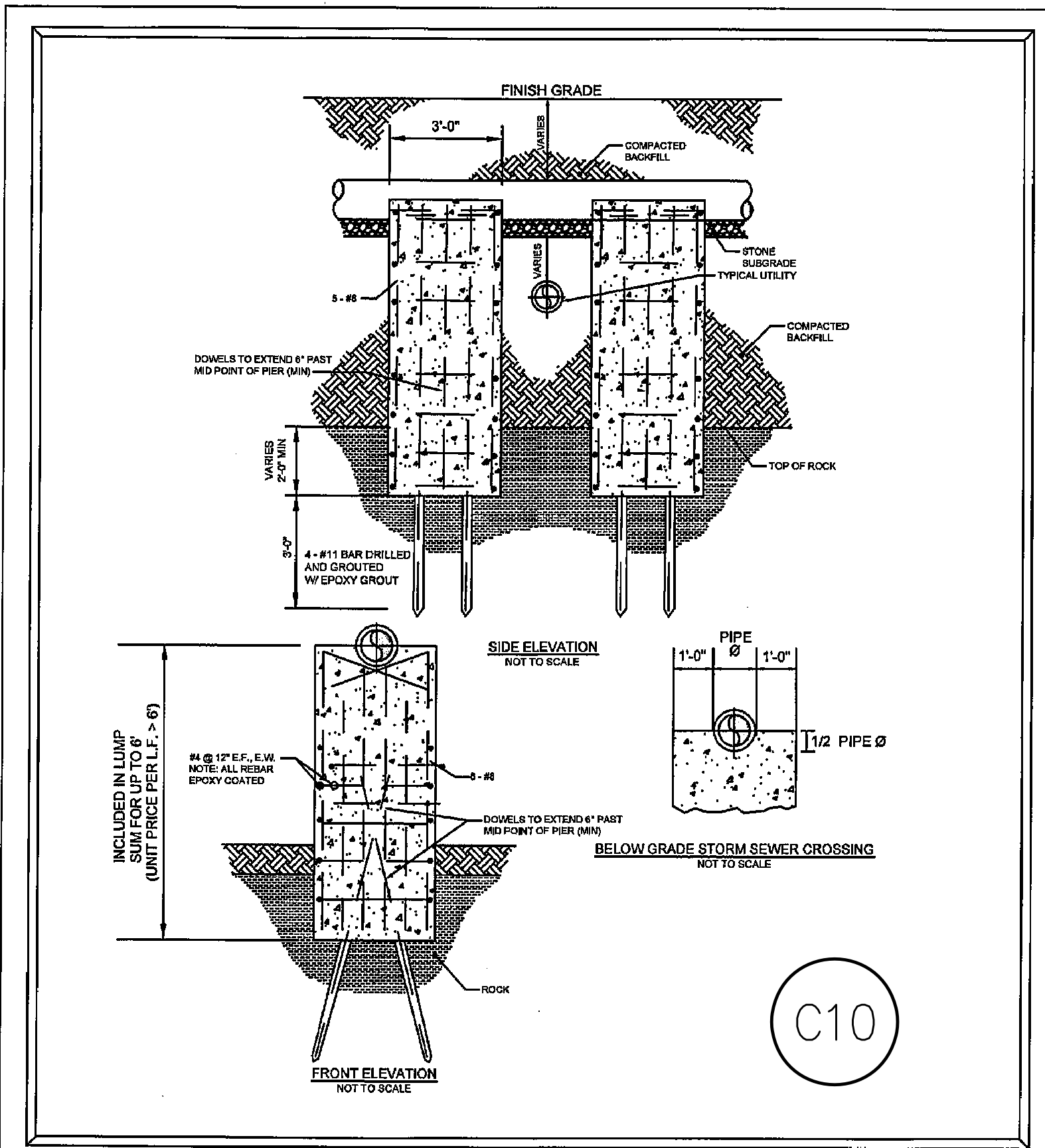
C5 CONC. SINGLE INLET DETAIL FOR ROLLOVER CURB AND GUTTER
DR-6 July 2009



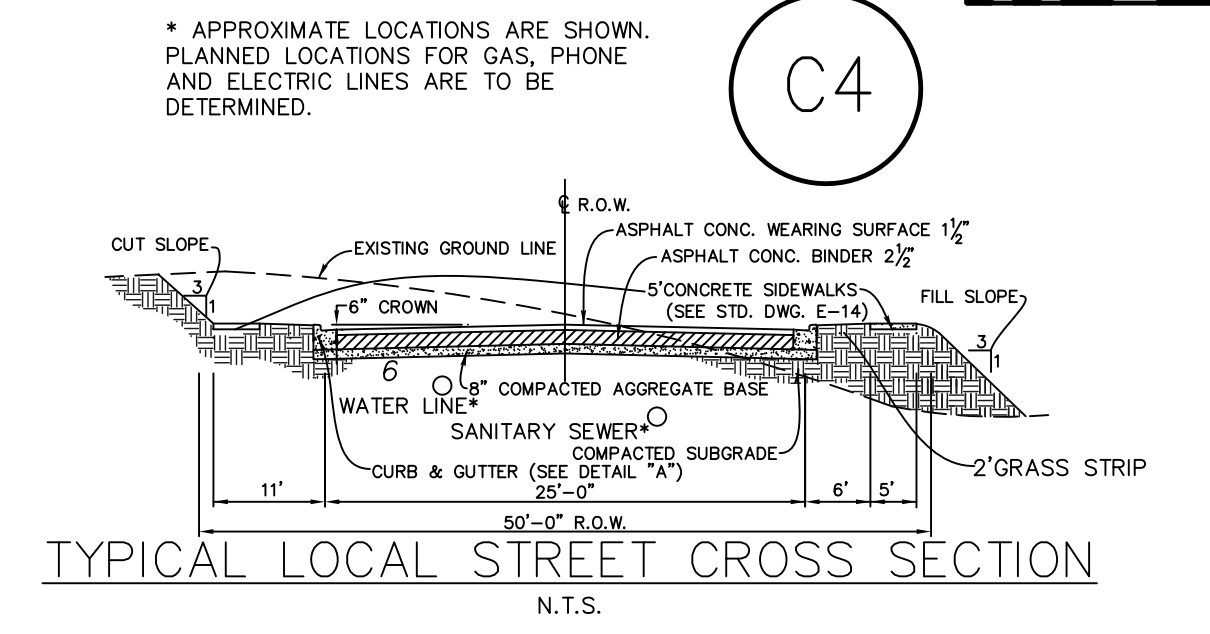
C6 EXTERIOR SEWER SERVICE CLEANOUT DETAIL
DRAWING NOT TO SCALE
APRIL 24, 2006
DRAWN BY: KMC
APPROVED BY: GH
MURFREESBORO WATER & SEWER DEPARTMENT
STANDARD DRAWING NO. P-3



C7 SWALE WITHOUT PARKING - (SECTION A-A)
(NOT TO SCALE)



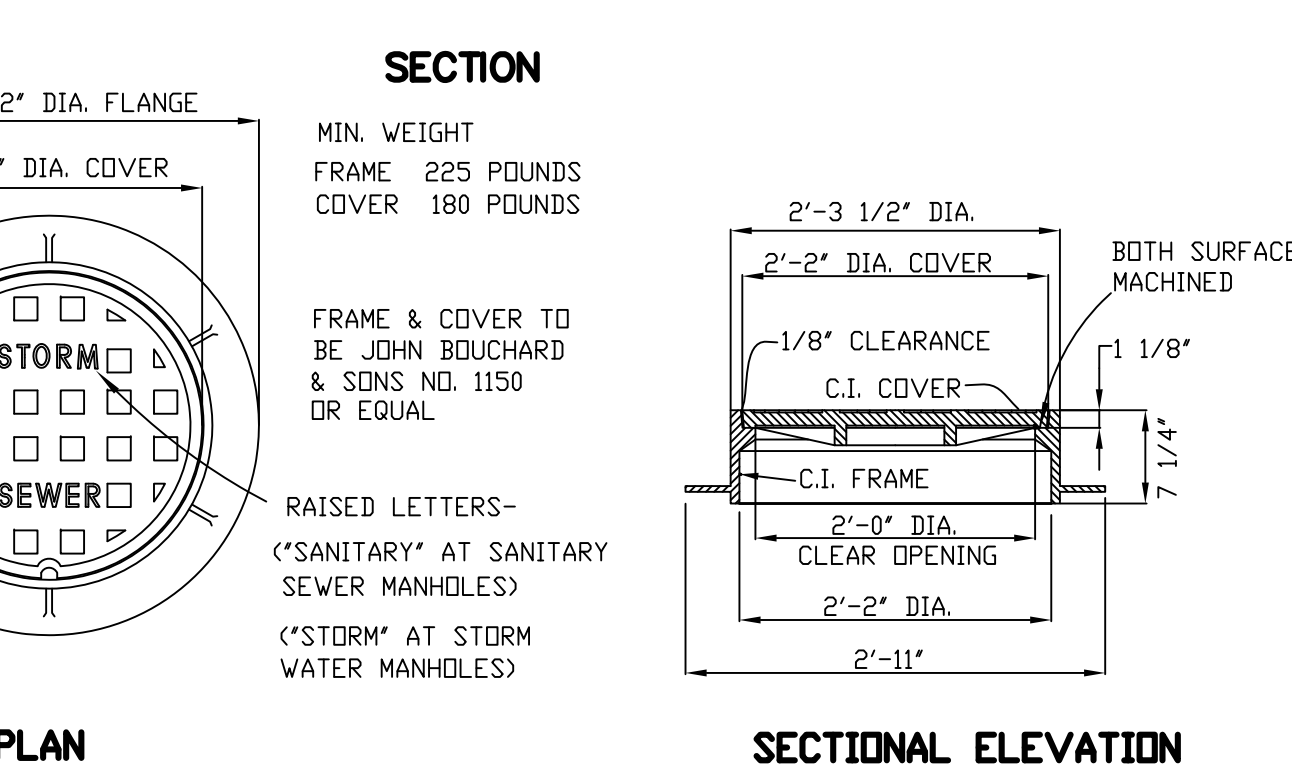
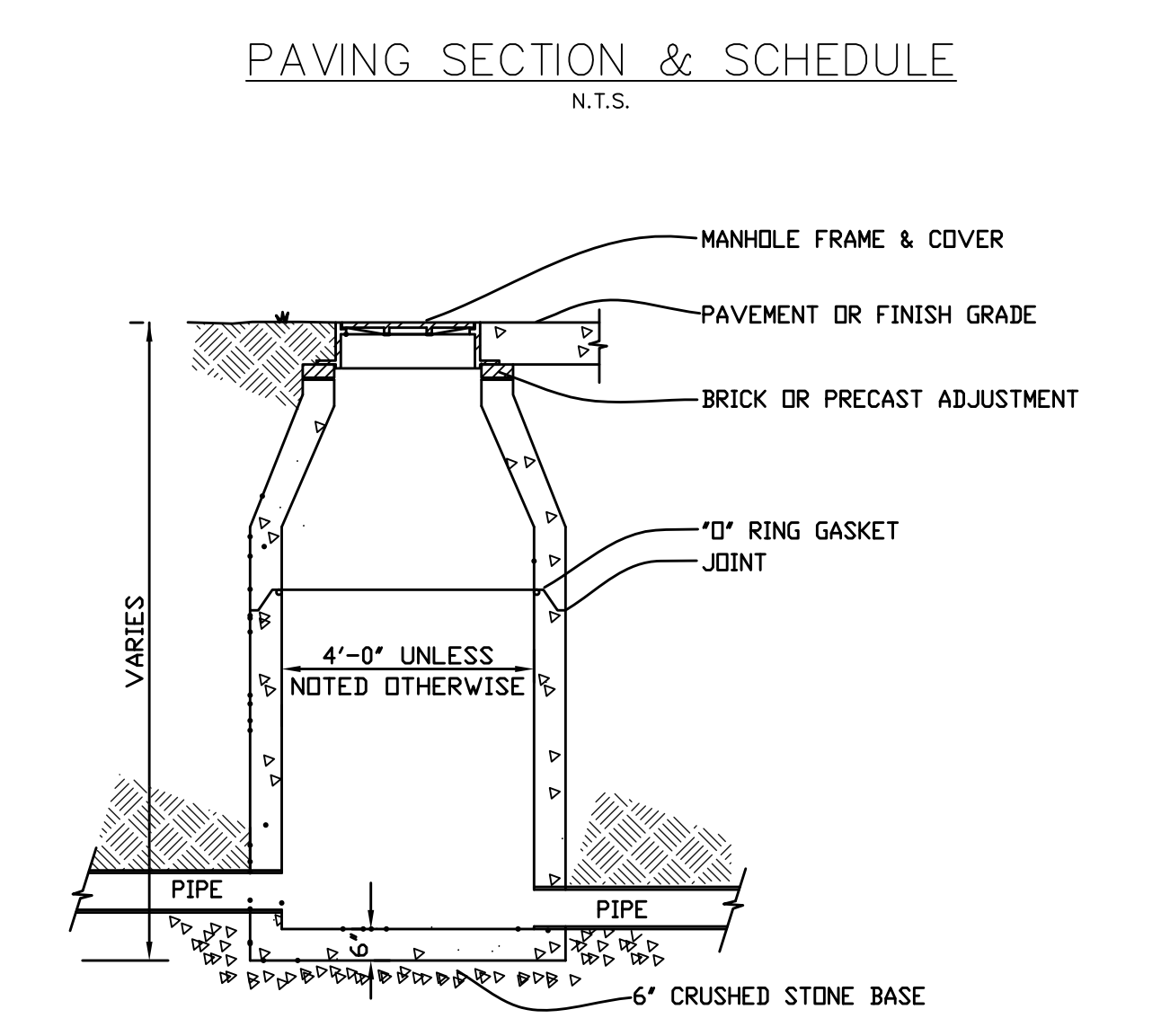
C9 STORM DRAIN MANHOLE (SDMH)
DETAIL
SCALE: NOT TO SCALE
MAY 24, 2019
DRAWN BY: J.S.R.
APPROVED BY: V.H.S.
BELOW GRADE PIER SUPPORT
STANDARD DRAWING NO. S - 26
MURFREESBORO WATER & SEWER DEPARTMENT



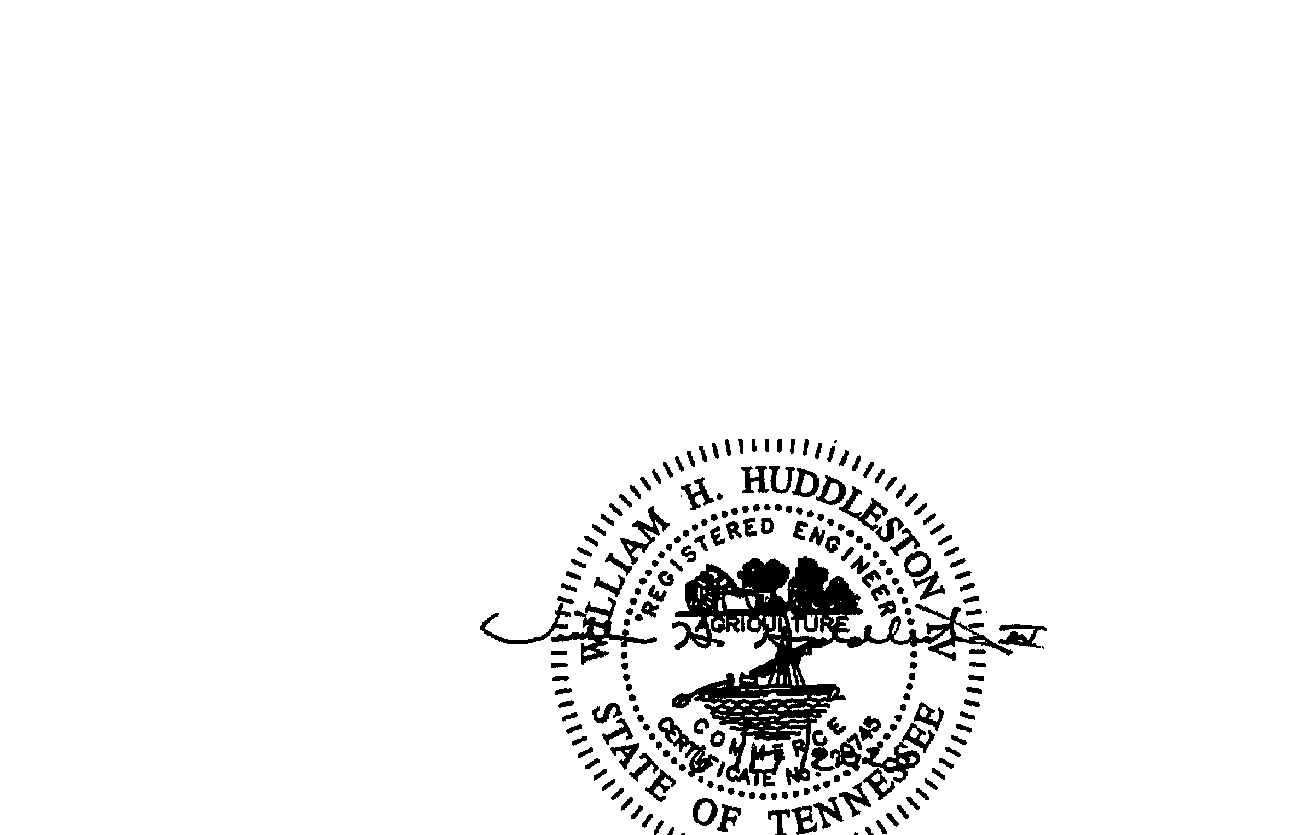
C10 TYPICAL LOCAL STREET CROSS SECTION
N.T.S.

PROPOSED PAVEMENT SCHEDULE

- MINERAL AGGREGATE BASE @ 8" THICK
ITEM NO. 303-01 MINERAL AGGREGATE, TYPE "A" BASE, GRADING D
- PRIME COAT
ITEM NO. 402-01 BITUMINOUS MATERIAL FOR PRIME COAT (P.C.) @ 0.35± GAL./SQ.YD.
ITEM NO. 402-02 AGGREGATE FOR COVER MATERIAL (P.C.) @ 12 LBS./SQ.YD.
- BITUMINOUS BINDER @ 2.5" THICK (282.5± LBS./SQ.YD.)
ITEM NO. 307-02.07 ASPHALT CONCRETE MIX (PC70-22) (BPMB) GRADING BM
- TACK COAT
ITEM NO. 403-01 BITUMINOUS MATERIAL FOR TACK COAT (T.C.) @ 0.02 GAL./SQ.YD.
- ASPHALTIC CONCRETE SURFACE @ 1.50" THICK (159± LBS./SQ.YD.)
ITEM NO. 411-02.10 ACS MIX (PC70-22) GRADING D



C11 PAVING SECTION & SCHEDULE
N.T.S.



DETAILS
OAKLAND COURT
PHASE I CONSTRUCTION PLAN
20th CIVIL DISTRICT - RUTHERFORD COUNTY - TN.

ADD #2

SH. CP12 OF CP12

MCCARTY
HOLSAPLE
MCCARTY
MHM
ARCHITECTS & INTERIOR DESIGNERS

19035
550 W. MAIN STREET, SUITE 300
KNOXVILLE, TENNESSEE 37902
CONTRACT: M010401/01/01
EMAIL: mholler@mhmcc.com
TELEPHONE: (865) 544-2000
FACSIMILE: (865) 544-0402
INTERNET: mhmcc.com

PROJECT INFORMATION
CONTRACT: SHC-0000000000000000
OAKLAND COURT REDEVELOPMENT
415 N. MAPLE ST.
MURFREESBORO, TENNESSEE 37130

ACTIVE DESIGN PHASE
SCHEMATIC DESIGN
DESIGN DEVELOPMENT
REIN-CHECK
CONSTRUCTION DOCUMENTS
CONSTRUCTION BIDDING PHASE
CONSTRUCTION ADMINISTRATION

CONSULTANT INFORMATION
MCCARTY HOLSAPLE MCCARTY, INC.
DO NOT SCALE DRAWINGS; USE GIVEN DIMENSIONS ONLY.
If not shown, verify correct dimension with ARCHITECT. Contractor shall check and verify all dimensions and conditions @ job site.

CODES OFFICIAL REVIEW

KEY PLAN

REVISION INFORMATION
No. Date Description

DRAWING INFORMATION
SCALE: N.T.S.
SCALE GUIDE: 28 JAN 2020
DWG. REVISED: Margaret Butler
PR. IN CHARGE: Jake Thomas /
FA / PC: Author
DRAWN BY: Project/Checked By
CHECKED BY: Project/Checked By
DRAWING TITLE:

V:\2023\Oakland Court\Phase I\CONSTRUCTION PLAN\OAKLAND COURT CONSTRUCTION NEW BORDER MAR 12 2024.dwg, Owner: 6/17/2023 2:56:53 PM, AC200303AC2003

TIME / DATE: 1/28/2020 11:45:39 AM